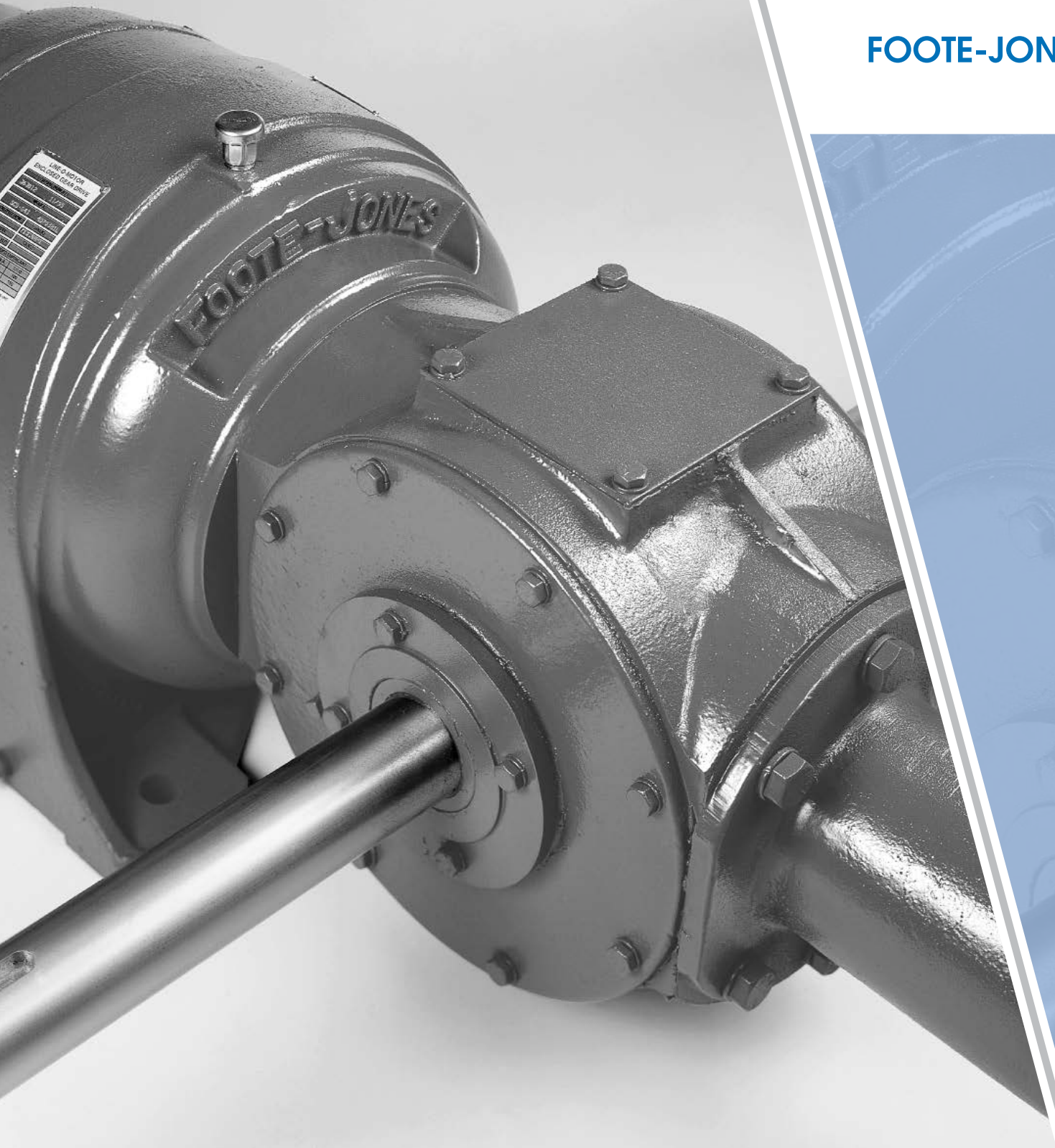


FOOTE-JONES®



SLUDGE COLLECTOR

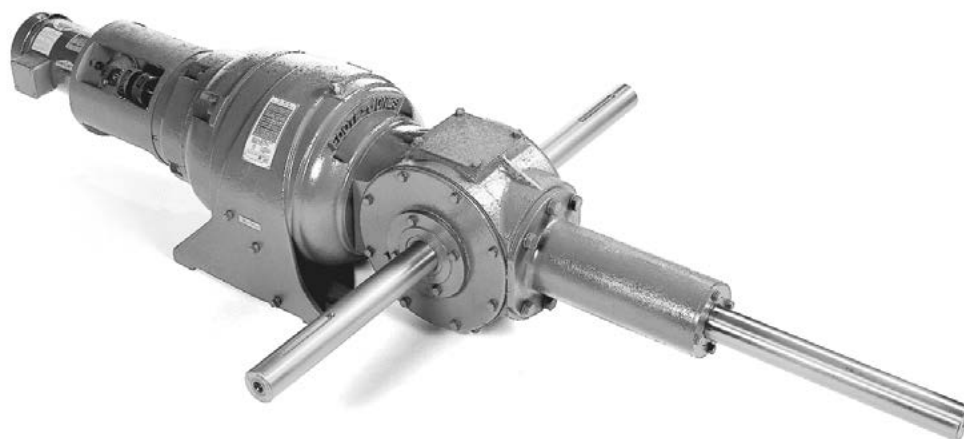
POWERFUL SOLUTIONS

REGAL®

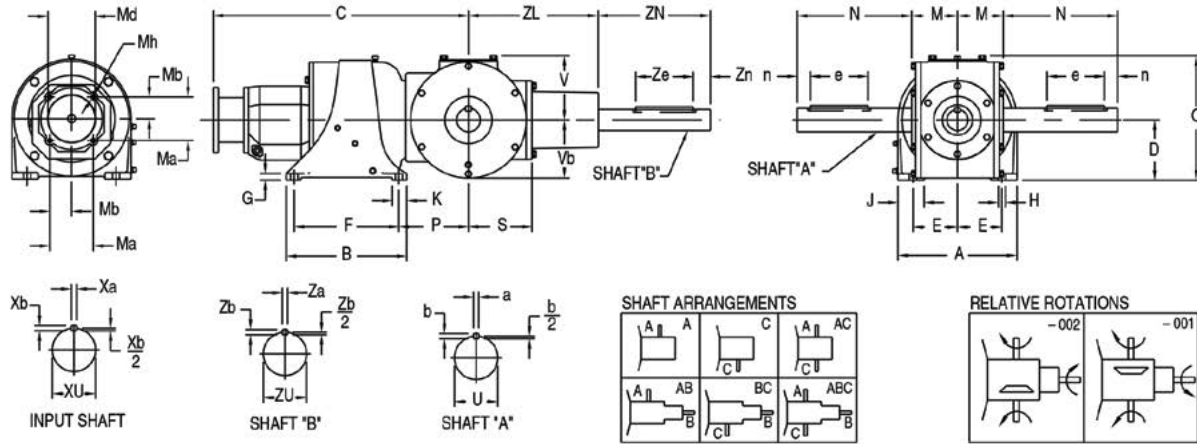
HORSEPOWER / TORQUE RATING TABLE

1750 RPM Input											
Shafts A&C		Shaft B		841		842		843		844	
Nominal Ratio	Output RPM	Nominal Ratio	Output RPM	Input HP	Output* Torque	Input HP	Output* Torque	Input HP	Output* Torque	Input HP	Output* Torque
317.8	5.50	158.9	11.0	0.96	11,000	1.57	18,000	N/A	N/A	N/A	N/A
389.2	4.50	194.6	9.00	0.79	11,000	1.29	18,000	1.80	24,000	2.43	34,000
476.8	3.70	238.4	7.40	0.65	11,000	1.06	18,000	1.48	24,000	2.00	34,000
583.8	3.00	291.9	6.00	0.52	11,000	0.86	18,000	1.20	24,000	1.62	34,000
715.0	2.50	357.5	5.00	0.44	11,000	0.71	18,000	1.00	24,000	1.35	34,000
875.8	2.00	437.9	4.00	0.35	11,000	0.57	18,000	0.80	24,000	1.08	34,000
1072.6	1.60	536.3	3.20	0.28	11,000	0.46	18,000	0.64	24,000	0.86	34,000
1313.6	1.35	656.8	2.70	0.24	11,000	0.39	18,000	0.54	24,000	0.73	34,000
1609.0	1.10	804.5	2.20	0.19	11,000	0.31	18,000	0.44	24,000	0.60	34,000
1970.6	0.90	985.3	1.80	0.16	11,000	0.26	18,000	0.36	24,000	0.50	34,000
2414.0	0.75	1207.0	1.50	0.13	11,000	0.21	18,000	N/A	N/A	N/A	N/A
2956.0	0.60	1478.0	1.20	0.10	11,000	0.17	18,000	N/A	N/A	N/A	N/A
3620.0	0.50	1810.0	1.00	0.09	11,000	0.14	18,000	N/A	N/A	N/A	N/A
1170 RPM INPUT											
317.8	3.70	158.9	7.40	0.65	11,000	1.06	18,000	N/A	N/A	N/A	N/A
389.2	3.00	194.6	6.00	0.52	11,000	0.86	18,000	1.20	24,000	1.62	34,000
476.8	2.50	238.4	5.00	0.44	11,000	0.71	18,000	1.00	24,000	1.35	34,000
583.8	2.00	291.9	4.00	0.35	11,000	0.57	18,000	0.80	24,000	1.08	34,000
715.0	1.60	357.5	3.20	0.28	11,000	0.46	18,000	0.64	24,000	0.86	34,000
875.8	1.35	437.9	2.70	0.24	11,000	0.39	18,000	0.54	24,000	0.73	34,000
1072.6	1.10	536.3	2.20	0.19	11,000	0.31	18,000	0.44	24,000	0.59	34,000
1313.6	0.90	656.8	1.80	0.16	11,000	0.26	18,000	0.36	24,000	0.50	34,000
1609.0	0.75	804.5	1.50	0.13	11,000	0.21	18,000	0.30	24,000	0.40	34,000
1970.6	0.60	985.3	1.20	0.10	11,000	0.17	18,000	0.24	24,000	0.32	34,000
2414.0	0.50	1207.0	1.00	0.09	11,000	0.14	18,000	N/A	N/A	N/A	N/A
2956.0	0.40	1478.0	0.80	0.07	11,000	0.11	18,000	N/A	N/A	N/A	N/A
3620.0	0.32	1810.0	0.64	0.06	11,000	0.09	18,000	N/A	N/A	N/A	N/A

* Total output torque for all shafts not to exceed the output torque in the table.

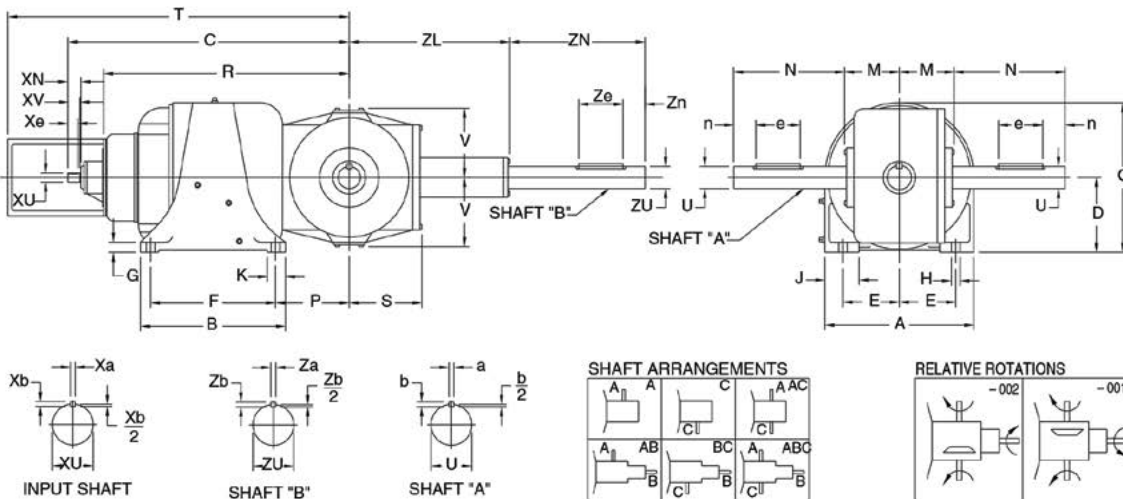


DIMENSIONS



UNIT SIZE	A	B	C	D	E	F	G	H	J	K	M	O	P	S	V	Vb	OUTPUT SHAFTS							APR. WT.				
																	ZL	ZN	ZU	KEY			N		U	KEY		
																				Za	Zb	Ze				a	b	e
841	11 3/8	11 1/2	24 7/8	5 3/4	4 1/4	10	5/8	11/66	2 1/2	1 3/8	4 3/8	11 7/8	6 5/8	6 1/16	6 1/8	5 5/8	12 3/8	4 3/8	2	1/2	1/2	4	5 1/2	2 1/4	1/2	1/2	3/4	390
842	12 1/2	12 1/2	26 1/4	6 1/4	4 1/2	11	3/4	11/16	3 1/4	1 1/2	4 3/8	11 7/8	6 5/8	6 1/8	6 1/8	5 5/8	12 3/8	4 3/4	2	1/2	1/2	4	5 1/2	2 1/4	1/2	1/2	3/4	475

UNIT SIZE	BOTH 841 & 842 UNITS						KEY	
	XU	Ma	Mb	Md	Mh	KEY		
						Xa	Xb	
56C	5/8	4.154	2.077	4 1/2	.406	3/16	3/16	
140TC	7/8	4.154	2.077	4 1/2	.406	3/16	3/16	
180TC	1 1/8	5.127	2.563	8 1/2	.531	1/4	1/4	
210TC	1 3/8	5.127	2.563	8 1/2	.531	5/16	5/16	



UNIT SIZE	A	B	C	D	E	F	G	H	J	K	M	O	P	R	S	T	V	OUTPUT SHAFTS					
																		XN	XU	XV	KEY SIZE		
																					Xa	Xb	Xe
843	15.25	15.00	29.75	8.00	5.50	12.50	1.00	0.95	4.00	2.12	5.375	15.25	8.13	25.02	6.75	31.25	7.00	1.62	1.125	1.50	0.25	0.25	1.25
844	18.50	18.00	35.25	1.25	7.00	15.50	1.25	1.06	4.25	2.25	5.50	18.83	9.50	30.50	9.00	40.00	8.62	1.62	1.125	1.50	0.25	0.25	1.25

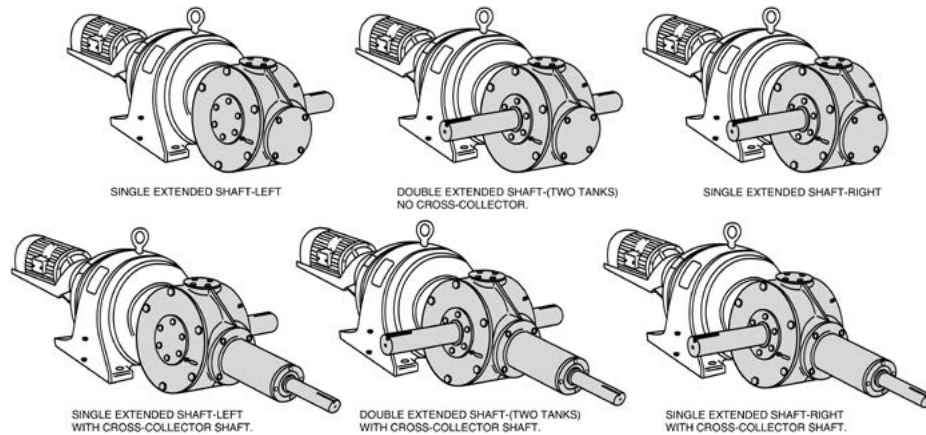
UNIT SIZE	N	U	OUTPUT SHAFT				OUTPUT SHAFT						APR. WT.	
			KEY SIZE			KEYWAY LENGTH f	ZL	ZN	ZU	KEY SIZE				KEYWAY LENGTH Zf
			a	b	e					Za	Zb	Ze		
843	14.75	2.250	0.50	0.50	5.00	7.00	19.38	14.75	2.250	0.50	0.50	5.00	7.00	675
844	10.50	2.75	0.625	0.625	5.40	9.50		10.50	2.75	0.625	1.125	5.40	9.50	875

ECOLOGY

One of today's primary concerns is the integrity of the ecology. Near the top of the required-action priority list is the area of sewage treatment.

Experience has shown that the most efficient means of handling larger volumes of raw sewage in the initial stages of the treatment process is the use of long, narrow rectangular primary and secondary settling tanks, some as large as 20 feet wide, 20 feet deep, and 150 feet long. For continuous cleaning of the type of vessel, the chain and flight type of Drag Conveyor has proven to be most successful. Great savings in construction and operating costs of these settling tanks are realized when a common divider wall is used between two or more tanks. Therefore, the drives used on

the conveyors must be designed with narrow configurations in order to straddle the dividing walls. As these Drag Conveyors continually clean the bottom of the settling tanks, one end of the combined tanks will accumulate the settling sludge. Therefore, Cross-Collector Drag Conveyors are needed to conduct the accumulation to one end of the plant for disposal. Here again, the drive is required to power the Cross-Collector Conveyor. The Foote-Jones® single drive with double extended output shafts drives the Drag Conveyors and a third shaft at right angles to drive the Cross-Collector Drag Conveyor. With common parts, the so-called Sludge Collector Drives are available in single extended shaft versions as well as cross collector versions as illustrated.



FOOTE-JONES®

Regal Beloit America, Inc.

2914 Industrial Avenue

Aberdeen, South Dakota 57402

Phone: (605) 225-0360

Fax: (605) 225-0567

E-mail: hubsales@regalbeloit.com

www.footejones.com

www.regalbeloit.com



APPLICATION CONSIDERATIONS

The proper selection and application of power transmission products and components, including the related area of product safety, is the responsibility of the customer. Operating and performance requirements and potential associated issues will vary appreciably depending upon the use and application of such products and components. The scope of the technical and application information included in this publication is necessarily limited. Unusual operating environments and conditions, lubrication requirements, loading supports, and other factors can materially affect the application and operating results of the products and components and the customer should carefully review its requirements. Any technical advice or review furnished by Regal Beloit America, Inc. and/or its affiliates ("Regal") with respect to the use of products and components is given in good faith and without charge, and Regal assumes no obligation or liability for the advice given, or results obtained, all such advice and review being given and accepted at customer's risk.

For a copy of our Standard Terms and Conditions of Sale, please visit <http://www.regalbeloit.com> (please see link at bottom of page to "Standard Terms and Conditions of Sale"). These terms and conditions of sale, disclaimers and limitations of liability apply to any person who may buy, acquire or use a Regal product referred to herein, including any person who buys from a licensed distributor of these branded products.

Regal and Foote-Jones are trademarks of Regal Beloit Corporation or one of its affiliated companies.

©2016 Regal Beloit Corporation, All Rights Reserved. MCB16020E • Form# 6156E

REGAL®