

ECM MADE EASY™

BETTER FOR YOU – BETTER FOR YOUR CUSTOMERS

What **if**...

**you could replace
32 PSC motors with just
3 ECM motors?**

BETTER FOR YOU

TECHNICIAN FRIENDLY
INCREASE PROFITS
REDUCE TRUCK STOCK



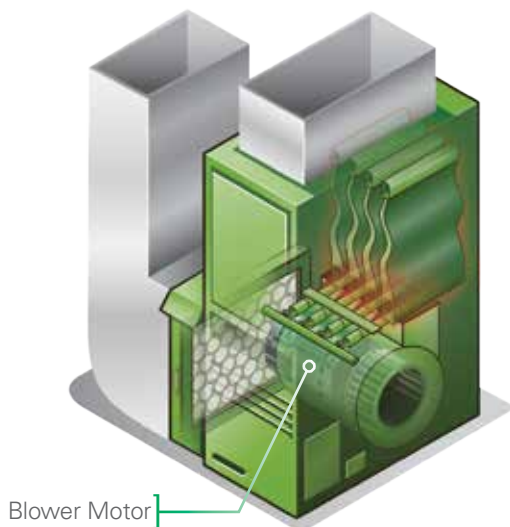
HOW CAN HAVING THE RIGHT INVENTORY ON THE TRUCK IMPROVE YOUR BOTTOM LINE?

- Complete more jobs per day.
- Complete after hours calls.
- Reduce expenses associated with driving to get parts, including labor, wear on the truck and fuel.
- Reduce inventory on truck, creating more space for other valuable parts or smaller more economical trucks.



ECM MADE EASY™

INDOOR BLOWER MOTOR

2 Evergreen® IM motors replace 16 of the most common PSC motor ratings.



48 FRAME / 1075 RPM INDOOR BLOWER MOTORS

115V 1/4 HP CCW	115V 1/3 HP CCW	115V 1/2 HP CCW	115V 3/4 HP CCW	 115-230 VAC 1-2-1/5 HP CW / CCW CAT # 6005
115V 1/4 HP CW	115V 1/3 HP CW	115V 1/2 HP CW	115V 3/4 HP CW	
230V 1/4 HP CCW	230V 1/3 HP CCW	230V 1/2 HP CCW	230V 3/4 HP CCW	
230V 1/4 HP CW	230V 1/3 HP CW	230V 1/2 HP CW	230V 3/4 HP CW	
				 115-230 VAC 1-1/2 HP CW / CCW CAT # 6010

EVERGREEN IM MOTORS

STOCK	HP	VOLTS	FLA	RPM	SPEEDS	SHAFT	DIM A	DIM B
6005	1/2 (1/2,1/3,1/4)	115/230	6.7/4.0	1075	5	.5" x 5" (4.5" SF)	11.26"	6.34"
6010	1 (1,3/4,1/2)	115/230	11.0/6.7	1075	5	.5" x 5" (4.5" SF)	12.76"	7.84"

ROTATION: Reversible // FRAME: NEMA® 48

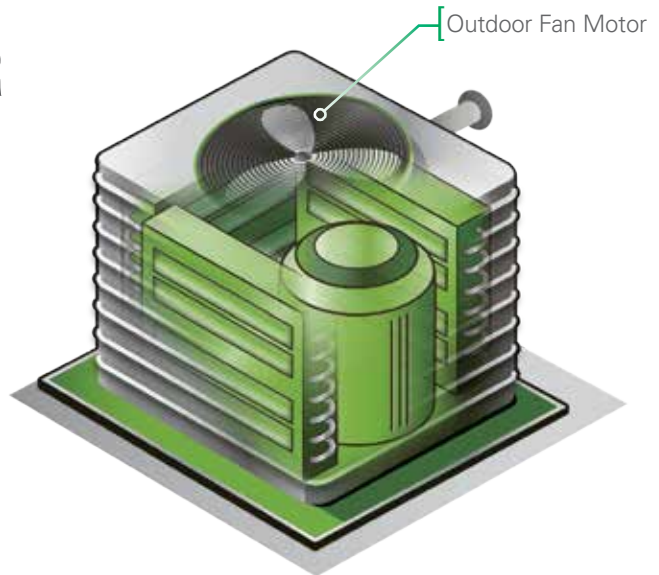
Specifications, educational v
Genteq® Evergreen® IM and OM m

Evergreen® · OM

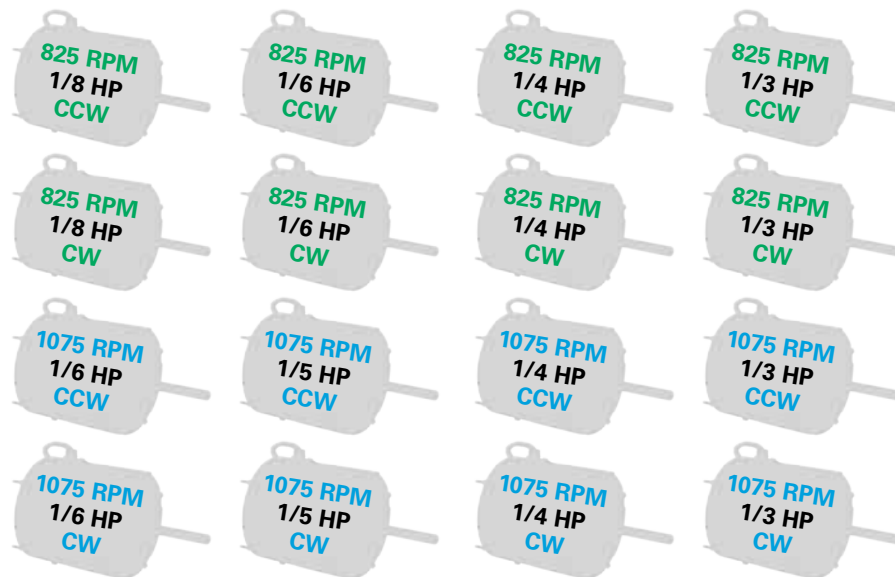
A/C & HEAT PUMP UNITS
Includes Package Systems

OUTDOOR FAN MOTOR

1 Evergreen® OM motor replaces 16 of the most common PSC motor ratings.



48 FRAME / 230 VAC OUTDOOR FAN MOTORS



230 VAC
1/3-1/10 HP
CW / CCW
CAT # 6303

EVERGREEN OM MOTOR

STOCK	HP	VOLTS	FLA	RPM	SPEEDS	SHAFT	DIM A	DIM B
6303	1/3	208-240	3.5	850/1100	2	.5" x 3" (2.5" SF)	8.99"	5.95"

ROTATION: Reversible // **FRAME:** NEMA® 48

ideos and product details on
motors and controls can be found at:

adeEasy.com

BETTER FOR YOUR CUSTOMERS

SAME DAY COMPLETION

ENERGY SAVINGS

IMPROVE COMFORT AND

INDOOR AIR QUALITY (IAQ)



HOW CAN HAVING THE RIGHT INVENTORY ON THE TRUCK INCREASE CUSTOMER SATISFACTION?

- Complete all calls the same day including after hours calls.
- Reduce time on call using part on truck.
- Two year warranty.
- Reliability of proven ECM technology.
- Increase comfort (reduced noise and temperature difference).
- Improve health by providing 24hr operation of IAQ products.

Ask for homeowner literature you can hand out along with digital content for use on your website to help promote Evergreen® motors.





Regal Beloit America, Inc.

1325 Heil Quaker Blvd.

LaVergne, TN 37086

Customer Service: 800-672-6495

Fax: 800-468-2062

www.regalbeloit.com

APPLICATION CONSIDERATIONS

The proper selection and application of products and components, including the related area of product safety, is the responsibility of the customer. Operating and performance requirements and potential associated issues will vary appreciably depending upon the use and application of such products and components. The scope of the technical and application information included in this publication is necessarily limited. Unusual operating environments and conditions, lubrication requirements, loading supports, and other factors can materially affect the application and operating results of the products and components and the customer should carefully review its requirements. Any technical advice or review furnished by Regal Beloit America, Inc. and/or its affiliates ("Regal") with respect to the use of products and components is given in good faith and without charge, and Regal assumes no obligation or liability for the advice given, or results obtained, all such advice and review being given and accepted at customer's risk.

For a copy of our Standard Terms and Conditions of Sale, please visit <http://www.regalbeloit.com> (please see link at bottom of page to "Standard Terms and Conditions of Sale"). These terms and conditions of sale, disclaimers and limitations of liability apply to any person who may buy, acquire or use a Regal product referred to herein, including any person who buys from a licensed distributor of these branded products.

NEMA is a trademark of National Electrical Manufacturers Association and is not owned or controlled by Regal Beloit Corporation.

Regal, Genteq, Evergreen and ECM Made Easy are trademarks of Regal Beloit Corporation or one of its affiliated companies.

©2018 Regal Beloit Corporation, All Rights Reserved. MCB18025E • Form# G0057E

The word "REGAL" in a bold, uppercase, sans-serif font, set within a dark grey trapezoidal shape that tapers to the right. A registered trademark symbol (®) is located to the upper right of the word.

REGAL®